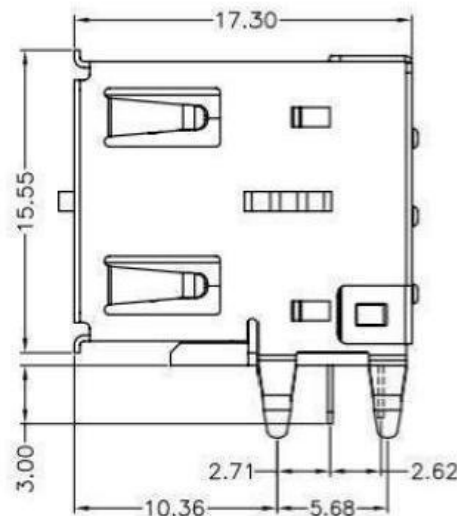
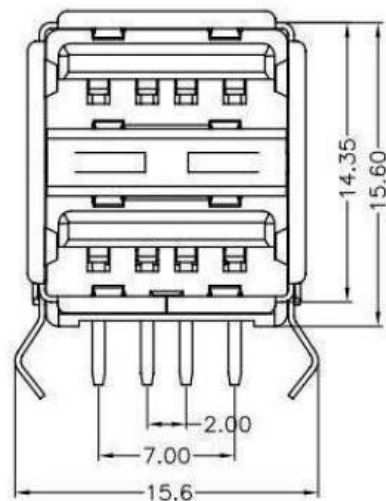


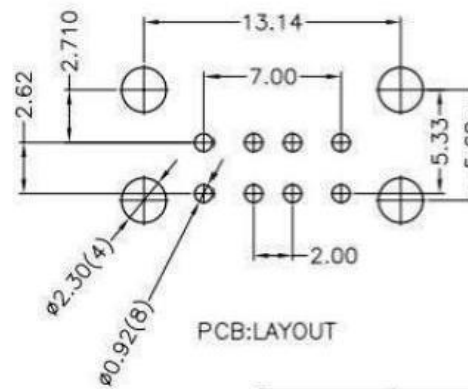
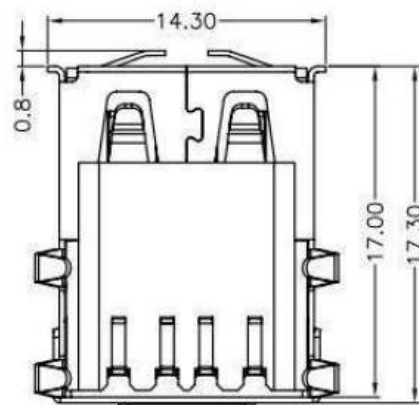


RoHS  
Compliant  
2002/95/EC

REV.	ECN.	NO.	APPD.



- 1.Electrical Characteristics:**  
Voltage Current rating:1AMP.30V AC  
Dielectric Withstanding Voltage:AC 500V R.M.S.  
Insulation Resistance:500MΩ min  
Contact Resistance:30mΩ max
- 2.Environmental**  
Operating Temperature:-40°C to 60°C
- 3.Mechanical Characteristics:**  
Matching Cycles:1500 Cycles  
Mating Force:3.57Kgf Max  
Unmating Force:1.02Kgf Min
- 4.Material**  
Housing:Thermoplastics UL94V-0,  
Terminal:Copper Alloy,T=0.25mm, Contact area  
plating Au 1u",3u",5u",10u",15u",30u"  
Shell : SPCC ,T=0.30mm



X. ±0.38	X.' ±4'	UNITS	钻宝电子有限公司			
.X ±0.25	.X' ±2'	MAT'L	Zuanbao Electronics Co.,Ltd			
.XX ±0.20	.XX'	SEE NOTE	TITLE:	PART NO.:		
.XXX ±0.10	.XXX'	FINISH	USB A/F雙解DIP90度(雙彈)	USB2.0-8WS02		
		SEE NOTE	DR:	DWG NO.:		
		Q'TY	CHKD:			
			APPD:	SCALE	SHEET	
				1:1	1/1	
				REV.	CUSTOMER	
				A	DRAWING	